

About United Manufacturing Co., Ltd.

United Manufacturing Co., Ltd. experts in the design and production of Wireway (Electrical Trucking System) and our products are controlled by engineers and manufactured by modern automatic machine, starting from CNC machinery processing, Shearing, bending, welding and powder coating. All of these production processes are quality controlled and certified by ISO 9001:2015.

Our products includes

Cable Ladder

Cable Tray

Wireway

Cable Trunking

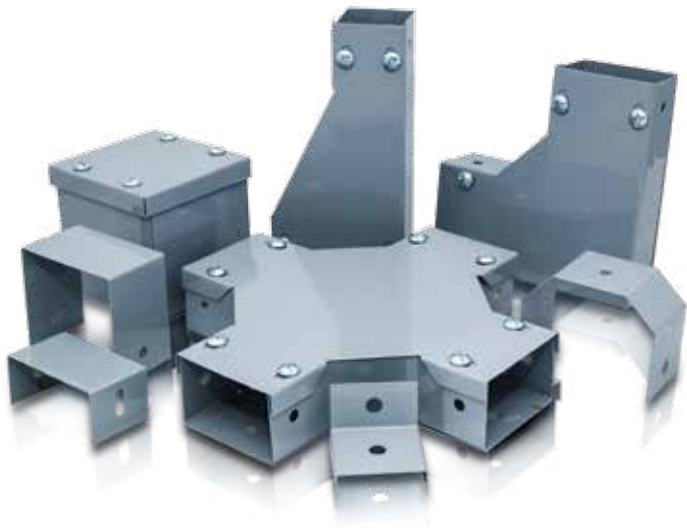
Pullbox

Junction Box

Fitting

Walkway

Accessories



Today, not only with the excellent working team who are expert in producing products based on customers' requests, but also the modern machinery and quality control in every process, we are able to promptly produce the products according to customer's orders and meet the standard requirements. Taking everything into account, the quality policy and our emphasis on the production and service makes us well accepted by the customers and societies.





United Manufacturing Company Limited

Established	: May 2010
Registered Capital	: 5,000,000 Baht
Land Areas	: 6,596 m ²
Factory Areas	: 2,000 m ²
Total Employees	: 170 Persons
CEO	: Dr.Montri Boonsith
Managing Director	: Dr.Kajohnsak Sirimai
Product/Service	: Electrical Trunking System
	» Cable Ladder
	» Cable Tray
	» Pull Box
	» Fitting
	» Cable Trunking
	» Wireway with Cover
	» Junction Box
	» Accessories
Brand	: UMS



Address : 99/99 Moo 2 Homkred Sampran, Nakhonpathom 73110
Telephone : 02-482-2155-57, 034-388672-3
Fax : 02-482-2189, 034-393-561
Website : www.unitedmanufacturing.co.th
Facebook : www.facebook.com/unitedmanufacturing2016

About United Manufacturing Co., Ltd.

United Manufacturing Co., Ltd. Is the specializing. The design and manufacture Electrical Trunking System and production by order of customer

Our product range include the following: Steel cable ladder, Steel cable tray, Steel wire way, Pullbox and Accessories.



Factory



We are expert and professional in Electrical Trunking System [Wireway Cable tray Cable Ladder Pull box]. We manufacture and assemble, along with the engineering and technician teams and modern technology that are certified with ISO 9001:2015



Production

Production Process

Our company focuses on providing standard design for effectiveness and safety. Our engineering and production team are expert and experienced in producing quality and standardized electrical Trunking System as per product characteristics and related regulations. Customers can be confidently certain that our product's quality is reliable.



- ⇒ CNC Punching with modern machine “Muratec M2048 TS” and Trumatic 500 that is accurate and support mass production



Production

Automatic Machinery

- ⇒ CNC Punching with modern machine that is accurate and support mass production
- ⇒ Cutting and Bending operated by computerized hydraulic system machine
- ⇒ Welding and Fabrication by semi-automatic welding machines includes SMAW. (Shield Metal Arc Welding), MIG (Metal Inert Gas), TIG (Tungsten Inert Gas), Spot Welding
- ⇒ All products are quality-checked, which is efficient and accurate. The warranty is also available.
- ⇒ All products are guaranteed and well packed for prompt delivery to the customers. We delivery our products for all users.



- ⇒ Powder Coating with electrostatics spray gun
- ⇒ Corrosion protection and rust resistance by Pre-Treatment before paint with Zinc Phosphate
- ⇒ Powder coating and oven under the temperature of not lower than 180°C to make the thickness of coated surface equals to 60-80 microns for smooth, polish, durable and beautiful surface

Process

Cable Trunking System | Cable Tray | Cable Ladder | Wireway | Accessories

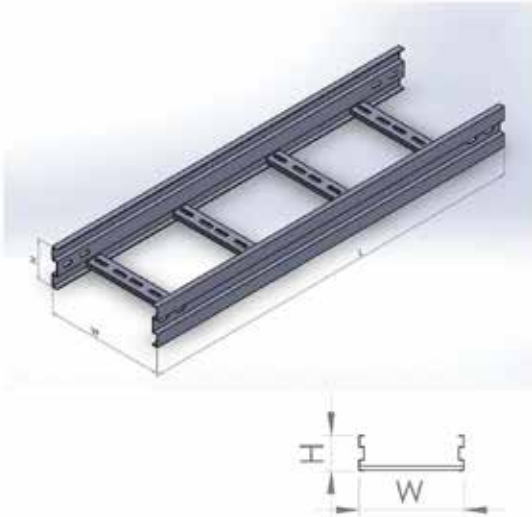


Process



Product

Cable Ladder



Standard Reference

NEMA VE1-2009, E.I.T 2001-56, ASTM

Material

Hot/Cold rolled Mild Steel Sheet

Pre Treatment/More Coating

Zinc Phosphate (PT)
Electroplate Zinc

Coating

Epoxy polyester powder painted
Hot-dip galvanized (ASTM A123/A123M)

Technical Data

Code	Detail			Thickness (mm.)	Weight (kg.)		
	W (mm.)	H (mm.)	L (mm.)		Straight	Cover	
						T=1.6 mm.	T=2.0 mm.
SCL-02	200	100	3,000	2.0/1.6	18.54	8.49	11.31
SCL-03	300	100	3,000	2.0/1.6	20.04	12.00	16.02
SCL-04	400	100	3,000	2.0/1.6	21.54	15.51	20.73
SCL-05	500	100	3,000	2.0/1.6	23.04	19.02	25.44
SCL-06	600	100	3,000	2.0/2.0	24.54	22.53	30.15
SCL-07	700	100	3,000	2.0/2.0	26.04	26.04	34.86
SCL-08	800	100	3,000	2.0/2.0	27.54	29.55	39.57
SCL-09	900	100	3,000	2.0/2.0	29.04	33.06	44.28
SCL-10	1,000	100	3,000	2.0/2.0	30.54	36.57	48.99

Other thickness, materials, width, length : Made by order
Normal length : 3,000 mm.

Cable Ladder

Cable Tray

Special Product / Accessories

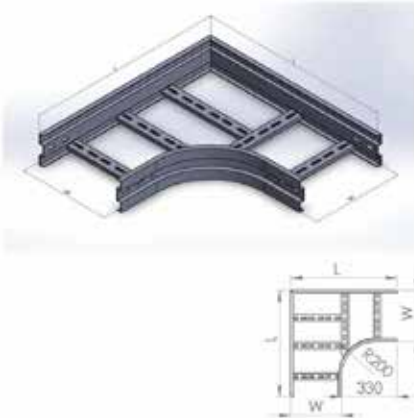
Wireway with Cover

Perforated Tray

Products

Cable Ladder

Horizontal Bend 90°



Code	Detail		Thickness (mm.)	Weight (kg.)		
	W (mm.)	H (mm.)		Fitting	Cover	
					T=1.6 mm.	T=2.0 mm.
HBL-02	200	100	2.0/1.6	6.16	3.08	4.12
HBL-03	300	100	2.0/1.6	7.28	4.66	6.22
HBL-04	400	100	2.0/1.6	8.99	6.48	8.64
HBL-05	500	100	2.0/1.6	10.26	8.53	11.37
HBL-06	600	100	2.0/2.0	12.42	10.81	14.41
HBL-07	700	100	2.0/2.0	13.83	13.33	17.77
HBL-08	800	100	2.0/2.0	15.25	16.09	21.45
HBL-09	900	100	2.0/2.0	16.66	19.08	25.44
HBL-10	1,000	100	2.0/2.0	18.06	22.30	29.74

Vertical Outside 90°



Code	Detail		Thickness (mm.)	Weight (kg.)		
	W (mm.)	H (mm.)		Fitting	Cover	
					T=1.6 mm.	T=2.0 mm.
VOL-02	200	100	2.0/1.6	4.92	2.09	2.62
VOL-03	300	100	2.0/1.6	5.37	2.97	3.71
VOL-04	400	100	2.0/1.6	5.82	3.85	4.80
VOL-05	500	100	2.0/1.6	6.27	4.73	5.89
VOL-06	600	100	2.0/2.0	6.72	5.61	6.98
VOL-07	700	100	2.0/2.0	7.17	6.49	8.07
VOL-08	800	100	2.0/2.0	7.62	7.37	9.16
VOL-09	900	100	2.0/2.0	8.07	8.25	10.25
VOL-10	1,000	100	2.0/2.0	8.52	9.13	11.34

Vertical Inside 90°



Code	Detail		Thickness (mm.)	Weight (kg.)		
	W (mm.)	H (mm.)		Fitting	Cover	
					T=1.6 mm.	T=2.0 mm.
VIL-02	200	100	2.0/1.6	4.92	1.63	2.04
VIL-03	300	100	2.0/1.6	5.37	2.31	2.88
VIL-04	400	100	2.0/1.6	5.82	2.99	3.72
VIL-05	500	100	2.0/1.6	6.27	3.67	4.56
VIL-06	600	100	2.0/2.0	6.72	4.35	5.40
VIL-07	700	100	2.0/2.0	7.17	5.03	6.24
VIL-08	800	100	2.0/2.0	7.62	5.71	7.03
VIL-09	900	100	2.0/2.0	8.07	6.39	7.92
VIL-10	1,000	100	2.0/2.0	8.52	7.07	8.76

Cable Ladder

Cable Tray

Special Product / Accessories

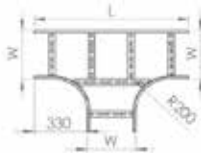
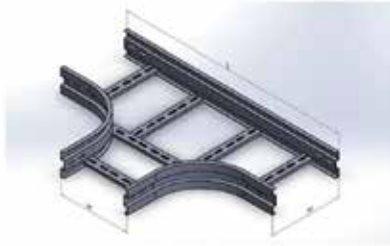
Wireway with Cover

Perforated Tray

Products

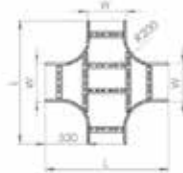
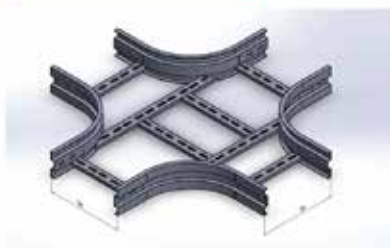
Cable Ladder

Horizontal Tee



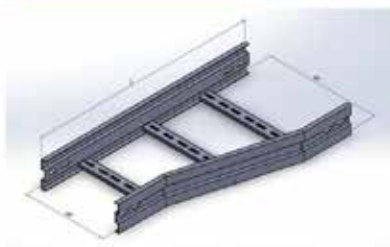
Code	Detail		Thickness (mm.)	Fitting	Weight (kg.)	
	W (mm.)	H (mm.)			Cover	
					T=1.6 mm.	T=2.0 mm.
HTL-02	200	100	2.0/1.6	7.80	4.42	5.88
HTL-03	300	100	2.0/1.6	9.26	6.45	8.58
HTL-04	400	100	2.0/1.6	10.41	8.71	11.60
HTL-05	500	100	2.0/1.6	11.57	11.20	14.94
HTL-06	600	100	2.0/2.0	18.61	13.94	18.57
HTL-07	700	100	2.0/2.0	14.92	16.90	22.53
HTL-08	800	100	2.0/2.0	17.42	20.11	26.80
HTL-09	900	100	2.0/2.0	18.87	23.54	31.38
HTL-10	1,000	100	2.0/2.0	20.32	27.22	32.28

Horizontal Cross



Code	Detail		Thickness (mm.)	Fitting	Weight (kg.)	
	W (mm.)	H (mm.)			Cover	
					T=1.6 mm.	T=2.0 mm.
HCL-02	200	100	2.0/1.6	9.45	5.78	8.01
HCL-03	300	100	2.0/1.6	10.94	8.49	11.31
HCL-04	400	100	2.0/1.6	12.13	11.20	14.91
HCL-05	500	100	2.0/1.6	13.33	14.14	18.84
HCL-06	600	100	2.0/2.0	15.41	17.32	23.08
HCL-07	700	100	2.0/2.0	16.76	20.73	27.64
HCL-08	800	100	2.0/2.0	19.29	24.38	32.50
HCL-09	900	100	2.0/2.0	20.78	28.27	37.68
HCL-10	1,000	100	2.0/2.0	22.27	32.39	43.18

Horizontal Reduce



Code	Detail		Thickness (mm.)	Fitting	Weight (kg.)	
	W (mm.)	H (mm.)			Cover	
					T=1.6 mm.	T=2.0 mm.
HRL-03	300,W2	100	2.0/1.6	5.34	2.83	3.77
HRL-04	400,W2	100	2.0/1.6	5.79	3.71	5.02
HRL-05	500,W2	100	2.0/1.6	6.23	4.71	6.27
HRL-06	600,W2	100	2.0/2.0	6.68	5.45	7.52
HRL-07	700,W2	100	2.0/2.0	7.13	6.19	8.77
HRL-08	800,W2	100	2.0/2.0	7.58	6.93	10.02
HRL-09	900,W2	100	2.0/2.0	8.03	7.67	11.27
HRL-10	1000,W2	100	2.0/2.0	8.43	8.41	12.52

Cable Ladder

Cable Tray

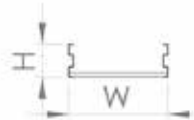
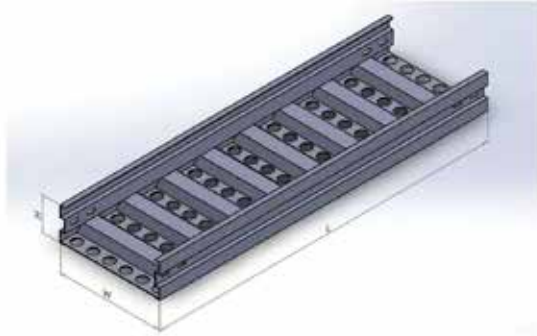
Special Product / Accessories

Wireway with Cover

Perforated Tray

Products

Cable Tray



Standard Reference

NEMA VE1-2009, E.I.T 2001-56, ASTM

Material

Hot/Cold rolled Mild Steel Sheet

Pre Treatment/More Coating

Zinc Phosphate (PT)
Electroplate Zinc

Coating

Epoxy/Polyester powder painted
Hot-dip galvanized (ASTM A123/A123M)

Technical Data

Code	Detail			Thickness (mm.)	Weight (kg.)		
	W (mm.)	H (mm.)	L (mm.)		Straight	Cover	
						T=1.6 mm.	T=2.0 mm.
SCT-02	200	100	2,440	1.6/1.2	13.47	6.91	9.20
SCT-03	300	100	2,440	1.6/1.2	15.47	9.76	13.03
SCT-04	400	100	2,440	1.6/1.2	17.47	12.61	16.86
SCT-05	500	100	2,440	1.6/1.2	19.47	15.47	20.69
SCT-06	600	100	2,440	2.0/1.6	30.62	18.32	24.52
SCT-07	700	100	2,440	2.0/1.6	33.62	21.18	28.35
SCT-08	800	100	2,440	2.0/1.6	36.62	24.03	32.18
SCT-09	900	100	2,440	2.0/1.6	39.63	26.89	36.01
SCT-10	1,000	100	2,440	2.0/1.6	42.63	29.74	39.85

Other thickness, materials, width, length : Made by order

Normal length : 2,440 mm.

Cable Ladder

Cable Tray

Special Product / Accessories

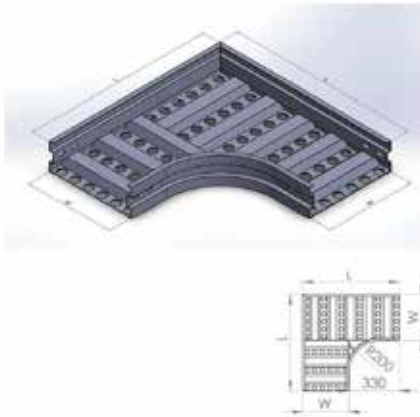
Wireway with Cover

Perforated Tray

Products

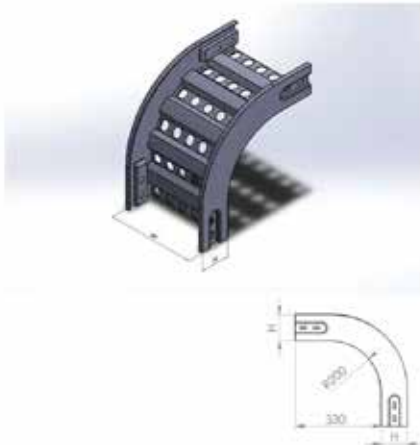
Cable Tray

Horizontal Bend 90°



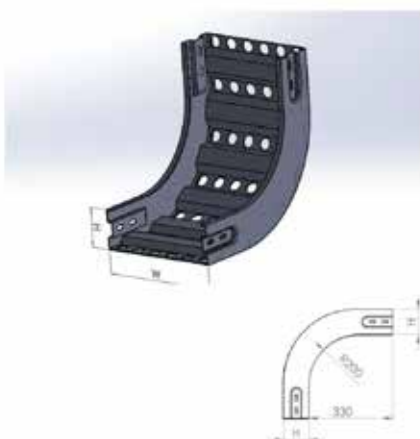
Code	Detail		Thickness (mm.)	Fitting	Weight (kg.)	
	W (mm.)	H (mm.)			Cover	
					T=1.6 mm.	T=2.0 mm.
HBT-02	200	100	1.6/1.2	5.79	3.08	4.12
HBT-03	300	100	1.6/1.2	7.25	4.66	6.22
HBT-04	400	100	1.6/1.2	8.88	6.48	8.64
HBT-05	500	100	1.6/1.2	10.68	8.53	11.37
HBT-06	600	100	2.0/1.6	17.42	10.81	14.41
HBT-07	700	100	2.0/1.6	20.58	13.37	17.77
HBT-08	800	100	2.0/1.6	23.98	16.09	21.45
HBT-09	900	100	2.0/1.6	27.66	19.08	25.44
HBT-10	1,000	100	2.0/1.6	31.60	22.30	29.74

Vertical Outside 90°



Code	Detail		Thickness (mm.)	Fitting	Weight (kg.)	
	W (mm.)	H (mm.)			Cover	
					T=1.6 mm.	T=2.0 mm.
VOT-02	200	100	1.6/1.2	4.90	2.09	2.62
VOT-03	300	100	1.6/1.2	5.34	2.97	3.71
VOT-04	400	100	1.6/1.2	5.78	3.85	4.80
VOT-05	500	100	1.6/1.2	6.22	4.37	5.89
VOT-06	600	100	2.0/1.6	7.98	5.61	6.98
VOT-07	700	100	2.0/1.6	8.64	6.49	8.07
VOT-08	800	100	2.0/1.6	9.30	7.37	9.16
VOT-09	900	100	2.0/1.6	9.96	8.25	10.25
VOT-10	1,000	100	2.0/1.6	10.62	9.13	11.34

Vertical Inside 90°



Code	Detail		Thickness (mm.)	Fitting	Weight (kg.)	
	W (mm.)	H (mm.)			Cover	
					T=1.6 mm.	T=2.0 mm.
VIT-02	200	100	1.6/1.2	5.15	1.63	2.04
VIT-03	300	100	1.6/1.2	5.72	2.31	2.88
VIT-04	400	100	1.6/1.2	6.29	2.99	3.72
VIT-05	500	100	1.6/1.2	6.86	3.67	4.56
VIT-06	600	100	2.0/1.6	9.10	4.35	5.40
VIT-07	700	100	2.0/1.6	9.95	5.03	6.24
VIT-08	800	100	2.0/1.6	10.79	5.71	7.08
VIT-09	900	100	2.0/1.6	11.63	6.39	7.92
VIT-10	1,000	100	2.0/1.6	12.47	7.07	8.76

Cable Ladder

Cable Tray

Special Product / Accessories

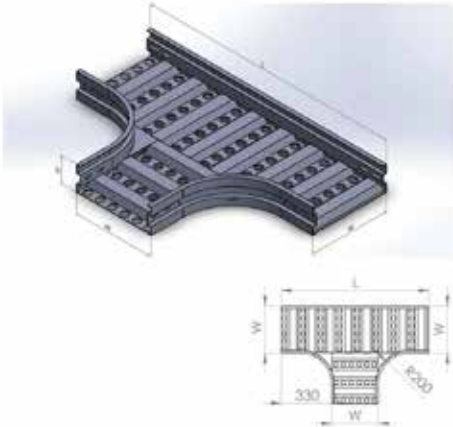
Wireway with Cover

Perforated Tray

Products

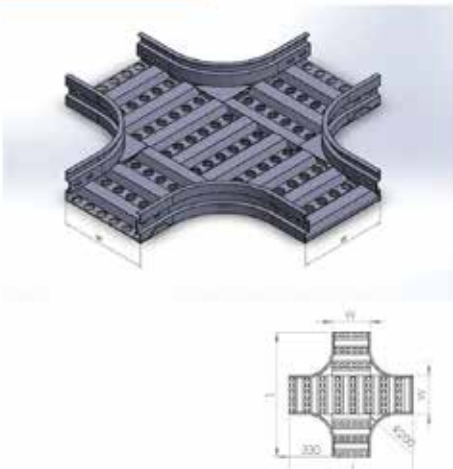
Cable Tray

Horizontal Tee



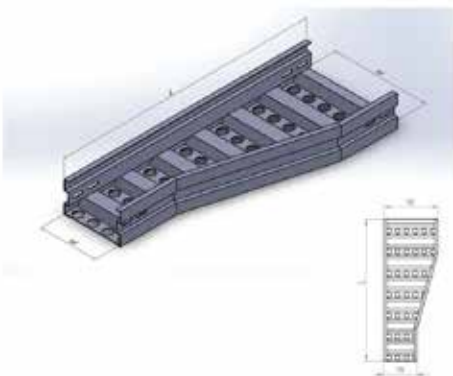
Code	Detail		Thickness (mm.)	Fitting	Weight (kg.)	
	W (mm.)	H (mm.)			Cover	
					T=1.6 mm.	T=2.0 mm.
HTT-02	200	100	1.6/1.2	7.91	4.42	5.87
HTT-03	300	100	1.6/1.2	9.55	6.45	8.58
HTT-04	400	100	1.6/1.2	11.40	8.71	11.60
HTT-05	500	100	1.6/1.2	13.54	11.20	14.94
HTT-06	600	100	2.0/1.6	21.30	13.94	18.57
HTT-07	700	100	2.0/1.6	24.96	16.90	22.53
HTT-08	800	100	2.0/1.6	28.96	20.11	26.80
HTT-09	900	100	2.0/1.6	33.21	23.54	31.38
HTT-10	1,000	100	2.0/1.6	37.79	27.22	36.28

Horizontal Cross



Code	Detail		Thickness (mm.)	Fitting	Weight (kg.)	
	W (mm.)	H (mm.)			Cover	
					T=1.6 mm.	T=2.0 mm.
HCT-02	200	100	1.6/1.2	10.34	5.78	8.01
HCT-03	300	100	1.6/1.2	12.14	8.49	11.31
HCT-04	400	100	1.6/1.2	14.14	11.20	14.91
HCT-05	500	100	1.6/1.2	16.35	14.14	18.84
HCT-06	600	100	2.0/1.6	24.46	17.32	23.08
HCT-07	700	100	2.0/1.6	28.38	20.73	27.64
HCT-08	800	100	2.0/1.6	32.61	24.38	32.50
HCT-09	900	100	2.0/1.6	37.14	28.27	37.68
HCT-10	1,000	100	2.0/1.6	41.98	32.39	43.18

Horizontal Reduce



Code	Detail		Thickness (mm.)	Fitting	Weight (kg.)	
	W (mm.)	H (mm.)			Cover	
					T=1.6 mm.	T=2.0 mm.
HRT-03	300,W2	100	1.6/1.2	4.80	2.83	3.77
HRT-04	400,W2	100	1.6/1.2	5.45	3.71	5.02
HRT-05	500,W2	100	1.6/1.2	6.10	4.71	6.27
HRT-06	600,W2	100	2.0/1.6	6.55	5.45	7.52
HRT-07	700,W2	100	2.0/1.6	10.58	6.19	8.77
HRT-08	800,W2	100	2.0/1.6	11.56	6.93	10.02
HRT-09	900,W2	100	2.0/1.6	12.54	7.67	11.27
HRT-10	1000,W2	100	2.0/1.6	13.52	8.41	12.52

Cable Ladder

Cable Tray

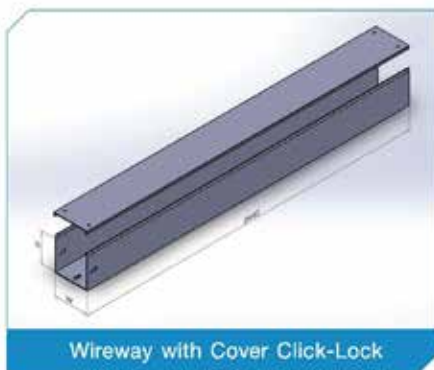
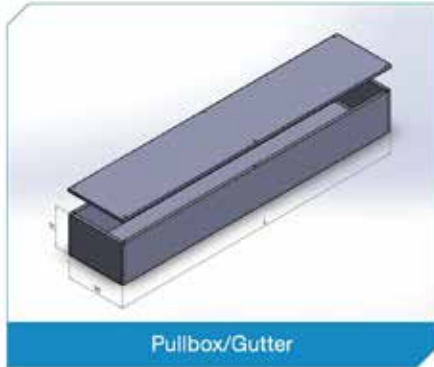
Special Product / Accessories

Wireway with Cover

Perforated Tray

Products

Special Product / By Order



Cable Ladder

Cable Tray

Special Product / Accessories

Cable Ladder and Cable Tray Accessories



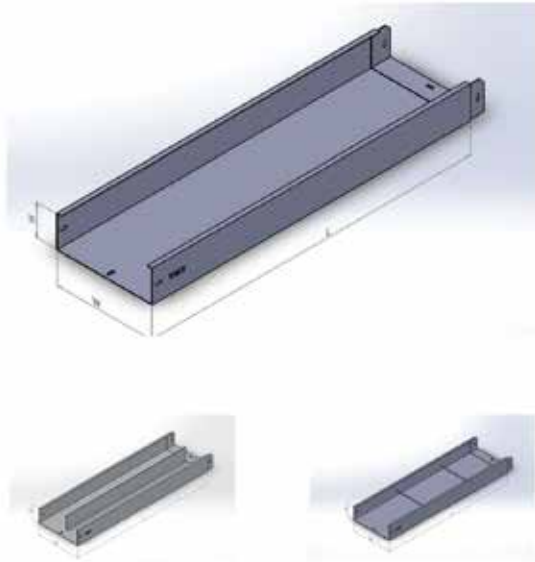
Wireway with Cover



Perforated Tray

Products

Wireway with Cover



Standard Reference

NEMA VE1-2009, E.I.T 2001-56, ASTM

Material

Hot rolled Mild Steel Sheet
Cold rolled Mild Steel Sheet
Stainless Steel Sheet
Aluzinc Steel Sheet
Galvanized Steel Sheet

Pre Treatment/More Coating

Zinc Phosphate (PT)
Electroplate Zinc

Coating

Epoxy/Polyester powder painted
Hot-dip galvanized (ASTM A123/A123M)

Technical Data

Code	Detail			Load Weight (kg.)											
				Thickness (mm.)											
	W (mm.)	H (mm.)	L (mm.)	1.0		1.2		1.6		2.0					
				Weight (kg.)	Spam (m.)	Weight (kg.)	Spam (m.)	Weight (kg.)	Spam (m.)	Weight (kg.)	Spam (m.)				
			1.5	2.0	1.5	2.0	1.5	2.0	1.5	2.0					
SW-075060	75	50	2,440	5.78	276.55	221.25	6.95	370.50	296.40	8.68	583.35	452.20	11.56	906.80	687.80
SW-100060	100	50	2,440	6.73	318.25	254.60	8.10	408.50	326.80	10.13	632.10	490.00	13.49	971.85	725.50
SW-100075	100	75	2,440	7.71	349.50	277.40	9.24	463.35	369.35	11.54	695.30	539.00	15.40	1009.20	767.60
SW-100100	100	100	2,440	8.66	387.00	305.00	10.39	500.80	395.20	12.98	749.95	581.35	17.32	1067.45	798.75
SW-150100	150	100	2,440	10.56	395.00	334.40	12.69	562.00	443.70	15.45	796.30	627.00	21.42	1105.85	817.70
SW-200100	200	100	2,440	12.49	418.00	357.20	14.98	602.15	477.90	18.74	852.95	661.20	24.98	1197.65	921.30
SW-250100	250	100	2,440	-	-	-	17.27	645.17	514.70	21.61	884.90	696.80	28.81	1265.50	980.40
SW-300100	300	100	2,440	-	-	-	19.57	690.97	554.88	24.50	994.45	743.65	32.64	1326.10	1012.50
SW-350100	350	100	2,440	-	-	-	-	-	-	27.38	987.45	785.40	36.47	1377.45	1067.80
SW-400100	400	100	2,440	-	-	-	-	-	-	30.26	1046.35	823.90	40.30	1419.95	1113.40
SW-450100	450	100	2,440	-	-	-	-	-	-	33.14	1076.20	847.40	44.14	1482.60	1128.50
SW-500100	500	100	2,440	-	-	-	-	-	-	36.00	1134.80	900.00	47.97	1530.70	1188.00

Weight : Body+Cover

Normal length : 2,440 mm.

Other thickness, materials, width, length : Made by order

Cable Ladder

Cable Tray

Special Product / Accessories

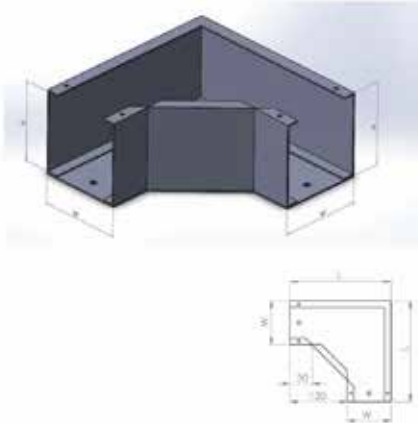
Wireway with Cover

Perforated Tray

Products

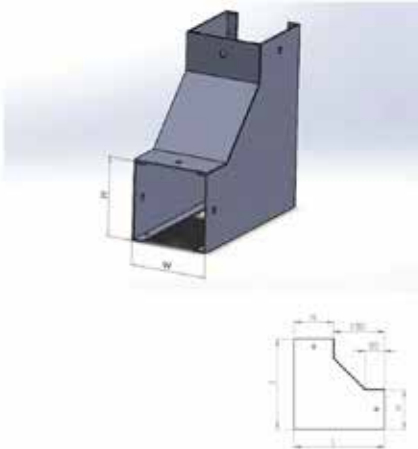
Wireway with Cover

Horizontal Bend 90° with Cover



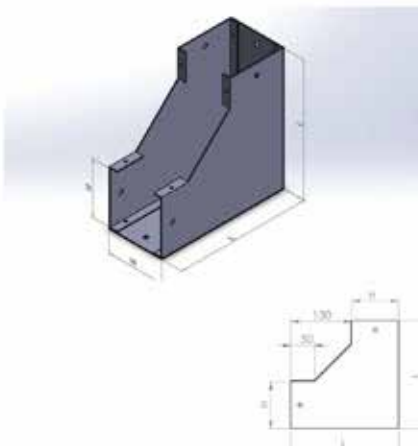
Code	Detail		Weight (kg.)			
	W (mm.)	H (mm.)	Thickness (mm.)			
			1.0	1.2	1.6	2.0
HBW-075050	75	50	0.36	0.42	0.56	0.70
HBW-100050	100	50	0.43	0.52	0.69	0.86
HBW-100075	100	75	0.58	0.70	0.93	1.16
HBW-100100	100	100	0.69	0.83	1.10	1.38
HBW-150100	150	100	0.96	1.15	1.51	1.89
HBW-200100	200	100	1.24	1.49	1.98	2.48
HBW-250100	250	100	-	1.89	2.52	3.15
HBW-300100	300	100	-	2.33	3.11	3.89
HBW-350100	350	100	-	-	3.77	4.72
HBW-400100	400	100	-	-	4.49	5.60
HBW-450100	450	100	-	-	5.28	6.60
HBW-500100	500	100	-	-	6.14	7.66

Vertical Outside 90° with Cover



Code	Detail		Weight (kg.)			
	W (mm.)	H (mm.)	Thickness (mm.)			
			1.0	1.2	1.6	2.0
VOW-075050	75	50	0.70	0.84	1.13	1.49
VOW-100050	100	50	0.82	0.98	1.31	1.64
VOW-100075	100	75	1.13	1.36	1.80	2.23
VOW-100100	100	100	1.35	1.62	2.17	2.71
VOW-150100	150	100	1.62	1.94	2.60	3.35
VOW-200100	200	100	1.89	2.27	3.03	3.79
VOW-250100	250	100	-	2.60	3.46	4.33
VOW-300100	300	100	-	2.91	3.90	4.87
VOW-350100	350	100	-	-	4.33	5.42
VOW-400100	400	100	-	-	4.96	5.96
VOW-450100	450	100	-	-	5.20	6.50
VOW-500100	500	100	-	-	5.63	7.04

Vertical Inside 90° with Cover



Code	Detail		Weight (kg.)			
	W (mm.)	H (mm.)	Thickness (mm.)			
			1.0	1.2	1.6	2.0
VW-075050	75	50	1.30	0.84	1.13	1.49
VW-100050	100	50	0.82	0.98	1.31	1.64
VW-100075	100	75	1.13	1.36	1.80	2.23
VW-100100	100	100	1.35	1.62	2.17	2.71
VW-150100	150	100	1.62	1.94	2.60	3.35
VW-200100	200	100	1.89	2.27	3.03	3.79
VW-250100	250	100	-	2.60	3.46	4.33
VW-300100	300	100	-	2.91	3.90	4.87
VW-350100	350	100	-	-	4.33	5.42
VW-400100	400	100	-	-	4.96	5.96
VW-450100	450	100	-	-	5.20	6.50
VW-500100	500	100	-	-	5.63	7.04

Cable Ladder

Cable Tray

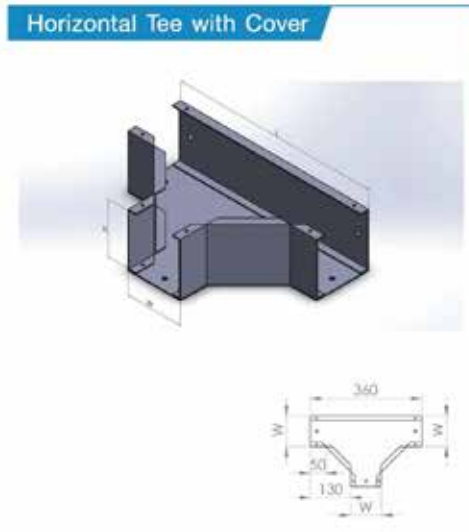
Special Product / Accessories

Wireway with Cover

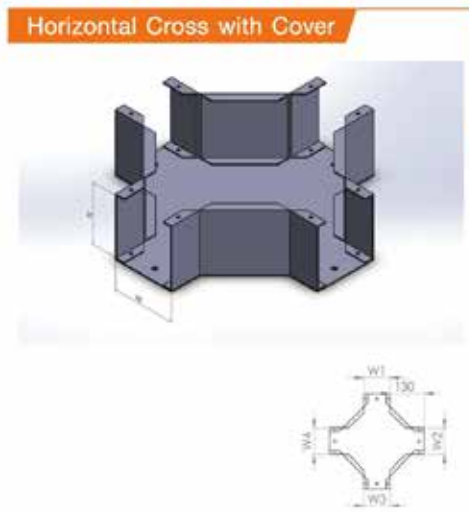
Perforated Tray

Products

Wireway with Cover



Code	Detail		Weight (kg.)			
	W (mm.)	H (mm.)	Thickness (mm.)			
			1.0	1.2	1.6	2.0
HTW-075050	75	50	1.31	1.57	2.09	2.62
HTW-100050	100	50	1.55	1.87	2.48	3.10
HTW-100075	100	75	1.76	2.11	2.82	3.53
HTW-100100	100	100	1.94	2.33	3.10	3.87
HTW-150100	150	100	2.49	2.99	3.99	4.98
HTW-200100	200	100	3.12	3.74	4.99	6.25
HTW-250100	250	100	-	4.50	6.00	7.50
HTW-300100	300	100	-	5.44	7.25	9.08
HTW-350100	350	100	-	-	8.65	10.84
HTW-400100	400	100	-	-	10.16	12.70
HTW-450100	450	100	-	-	11.80	14.75
HTW-500100	500	100	-	-	13.57	19.96



Code	Detail		Weight (kg.)			
	W (mm.)	H (mm.)	Thickness (mm.)			
			1.0	1.2	1.6	2.0
HCW-075050	75	50	1.80	2.16	2.88	3.60
HCW-100050	100	50	2.08	2.50	3.32	4.15
HCW-100075	100	75	2.37	2.84	3.79	4.74
HCW-100100	100	100	2.57	3.08	4.11	5.14
HCW-150100	150	100	3.18	3.82	5.08	6.35
HCW-200100	200	100	3.86	4.65	6.17	7.72
HCW-250100	250	100	-	5.35	7.13	8.91
HCW-300100	300	100	-	6.35	8.47	10.59
HCW-350100	350	100	-	-	9.94	12.43
HCW-400100	400	100	-	-	11.54	14.42
HCW-450100	450	100	-	-	13.26	16.57
HCW-500100	500	100	-	-	15.16	18.88



Code	Detail		Weight (kg.)			
	W (mm.)	H (mm.)	Thickness (mm.)			
			1.0	1.2	1.6	2.0
HRW-100050	100,75	50	0.54	0.65	0.81	1.08
HRW-150100	150,100	50	0.85	1.02	1.28	1.70
HRW-200100	200,W2	75	1.00	1.02	1.50	2.00
HRW-250100	250,W2	100	-	1.31	1.75	2.33
HRW-300100	300,W2	100	-	1.50	2.00	2.66
HRW-350100	350,W2	100	-	-	2.25	2.99
HRW-400100	400,W2	100	-	-	2.50	3.52
HRW-450100	450,W2	100	-	-	2.75	3.61
HRW-500100	500,W2	100	-	-	3.00	3.97

Cable Ladder

Cable Tray

Special Product / Accessories

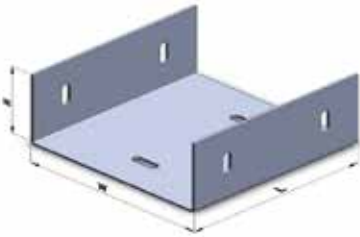
Wireway with Cover

Perforated Tray

Products

Wireway with Cover

Connector Wireway



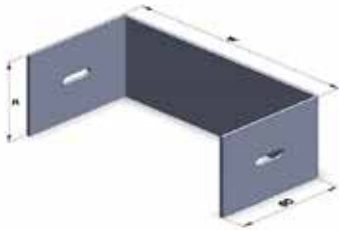
Code	Detail		Weight (kg.)			
	W (mm.)	H (mm.)	Thickness (mm.)			
			1.0	1.2	1.6	2.0
CNW-075050	75	50	0.09	0.11	0.15	0.18
CNW-100050	100	50	0.11	0.13	0.17	0.22
CNW-100075	100	75	0.12	0.14	0.22	0.25
CNW-100100	100	100	0.14	0.17	0.23	0.29
CNW-150100	150	100	0.18	0.22	0.28	0.35
CNW-200100	200	100	0.21	0.25	0.33	0.41
CNW-250100	250	100	-	0.28	0.38	0.48
CNW-300100	300	100	-	0.32	0.43	0.54
CNW-350100	350	100	-	-	0.48	0.60
CNW-400100	400	100	-	-	0.53	0.66
CNW-450100	450	100	-	-	0.58	0.72
CNW-500100	500	100	-	-	0.63	0.78

Flange End Wireway



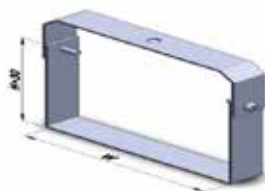
Code	Detail		Weight (kg.)			
	W (mm.)	H (mm.)	Thickness (mm.)			
			1.0	1.2	1.6	2.0
FEW-050	50		0.08	0.10	0.13	0.16
FEW-075	75		0.09	0.11	0.14	0.18
FEW-100	100		0.10	0.12	0.15	0.20
FEW-150	150		0.11	0.13	0.16	0.22

End Cap Wireway



Code	Detail		Weight (kg.)			
	W (mm.)	H (mm.)	Thickness (mm.)			
			1.0	1.2	1.6	2.0
ECW-075050	75	50	0.06	0.07	0.09	0.12
ECW-100050	100	50	0.07	0.08	0.11	0.14
ECW-100075	100	75	0.10	0.12	0.17	0.21
ECW-100100	100	100	0.14	0.16	0.22	0.27
ECW-150100	150	100	0.18	0.22	0.29	0.36
ECW-200100	200	100	0.22	0.26	0.35	0.43
ECW-250100	250	100	-	0.31	0.41	0.50
ECW-300100	300	100	-	0.35	0.47	0.57
ECW-350100	350	100	-	-	0.52	0.64
ECW-400100	400	100	-	-	0.59	0.71
ECW-450100	450	100	-	-	0.65	0.78
ECW-500100	500	100	-	-	0.71	0.84

Hanger Support



Code	Detail		Weight (kg.)			
	W (mm.)	H (mm.)	Thickness (mm.)			
			2.0			
HSW-075050	75	50	0.165			
HSW-100050	100	50	0.188			
HSW-100075	100	75	0.235			
HSW-100100	100	100	0.282			
HSW-150100	150	100	0.330			

Cable Ladder

Cable Tray

Special Product / Accessories

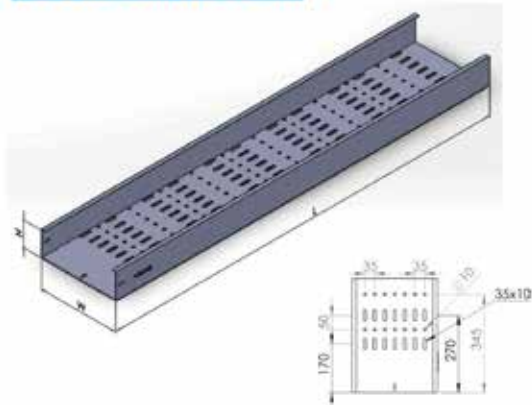
Wireway with Cover

Perforated Tray

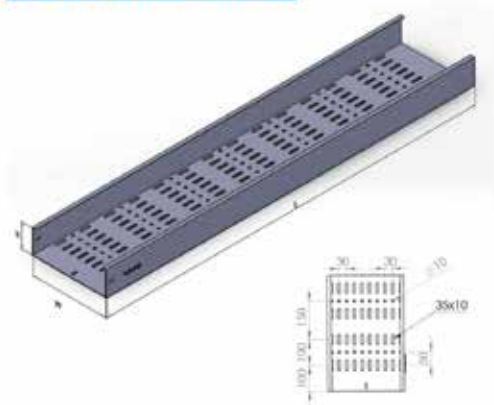
Products

Perforated Tray Type

PERFORATED TRAY 01



PERFORATED TRAY 02



Standard Reference

NEMA VE1-2009,
E.I.T 2001-56, ASTM

Pre Treatment/More Coating

Zinc Phosphate (PT)
Electroplate Zinc

Material

Hot rolled Mild Steel Sheet
Cold rolled Mild Steel Sheet
Stainless Steel Sheet
Aluzinc Steel Sheet
Galvanized Steel Sheet

Coating

Epoxy/Polyester powder painted
Hot-dip galvanized (ASTM A123/A123M)

Technical Data

Code	Detail			Load Weight (kg.)											
				Thickness (mm.)											
	W (mm.)	H (mm.)	L (mm.)	1.0		1.2		1.6		2.0					
				Weight (kg.)	Spam (m.)	Weight (kg.)	Spam (m.)	Weight (kg.)	Spam (m.)	Weight (kg.)	Spam (m.)				
			1.5	2.0	1.5	2.0	1.5	2.0	1.5	2.0					
PRT-0001	75	50	2,440	5.20	276.56	221.25	6.25	370.50	296.40	7.81	583.35	425.20	10.40	906.80	687.80
PRT-0002	100	50	2,440	6.05	318.26	254.60	7.29	408.50	326.80	9.11	632.10	490.00	12.14	971.85	725.5
PRT-0003	100	75	2,440	6.93	349.50	277.40	8.13	463.35	369.35	10.38	695.30	539.00	13.86	1009.20	767.60
PRT-0004	100	100	2,440	7.79	387.00	305.00	9.35	500.80	395.20	11.68	749.95	581.35	15.58	1067.45	798.75
PRT-0005	150	100	2,440	9.50	395.00	334.40	11.42	562.00	443.7	13.90	796.30	627.00	19.27	1105.85	817.70
PRT-0006	200	100	2,440	-	-	-	13.48	602.15	447.90	16.86	852.95	661.20	22.48	1197.65	921.30
PRT-0007	250	100	2,440	-	-	-	15.54	645.17	514.7	19.44	884.90	696.80	25.92	1265.50	980.40
PRT-0008	300	100	2,440	-	-	-	17.61	690.97	554.88	22.05	930.85	743.65	29.37	1326.10	1012.50
PRT-0009	350	100	2,440	-	-	-	-	-	-	24.64	987.45	785.40	32.82	1377.45	1067.80
PRT-0010	400	100	2,440	-	-	-	-	-	-	27.23	1046.30	823.90	36.27	1419.95	1113.40
PRT-0011	450	100	2,440	-	-	-	-	-	-	29.82	1076.20	847.40	39.72	1482.60	1128.50
PRT-0012	500	100	2,440	-	-	-	-	-	-	32.4	1134.80	900.00	43.17	1530.70	1188.00

Weight : Body+Cover

Normal length : 2,440 mm.

Other thickness, materials, width, length : Made by order

Cable Ladder

Cable Tray

Special Product / Accessories

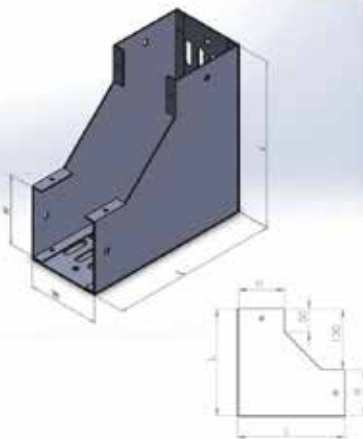
Wireway with Cover

Perforated Tray

Products

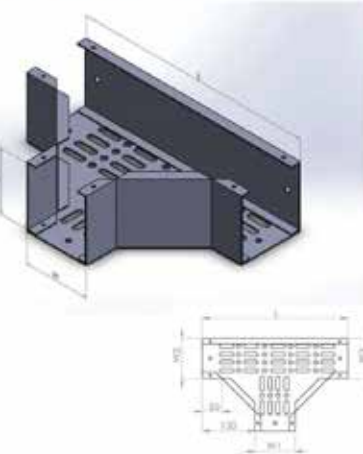
Perforated Tray Type

Vertical Inside 90° with Cover



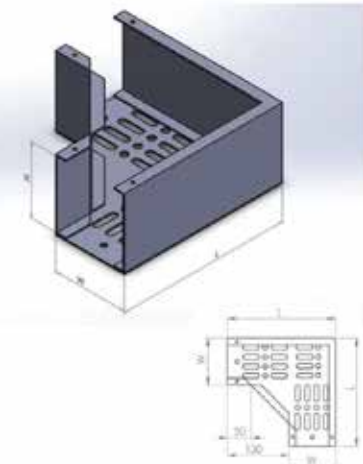
Code	Detail		Weight (kg.)			
	W (mm.)	H (mm.)	Thickness (mm.)			
			1.0	1.2	1.6	2.0
VIPRT-0001	75	50	0.70	0.84	1.13	1.47
VIPRT-0002	100	50	0.82	0.98	1.31	1.64
VIPRT-0003	100	75	1.13	1.36	1.80	2.23
VIPRT-0004	100	100	1.35	1.62	2.17	2.71
VIPRT-0005	150	100	1.62	1.94	2.60	3.35
VIPRT-0006	200	100	1.89	2.27	3.03	3.79
VIPRT-0007	250	100	-	2.60	3.46	4.33
VIPRT-0008	300	100	-	2.91	3.90	4.87
VIPRT-0009	350	100	-	-	4.33	5.42
VIPRT-0010	400	100	-	-	4.96	5.96
VIPRT-0011	450	100	-	-	5.20	6.50
VIPRT-0012	500	100	-	-	5.63	7.0

Horizontal Tee with Cover



Code	Detail		Weight (kg.)			
	W (mm.)	H (mm.)	Thickness (mm.)			
			1.0	1.2	1.6	2.0
HTPRT-0001	75	50	1.31	1.57	2.09	2.62
HTPRT-0002	100	50	1.55	1.87	2.48	3.10
HTPRT-0003	100	75	1.76	2.11	2.82	3.53
HTPRT-0004	100	100	1.94	2.33	3.10	3.87
HTPRT-0005	150	100	2.49	2.99	3.99	4.98
HTPRT-0006	200	100	3.12	3.74	4.99	6.25
HTPRT-0007	250	100	-	4.50	6.00	7.50
HTPRT-0008	300	100	-	5.44	7.25	9.08
HTPRT-0009	350	100	-	-	8.65	10.84
HTPRT-0010	400	100	-	-	10.16	12.70
HTPRT-0011	450	100	-	-	11.80	14.75
HTPRT-0012	500	100	-	-	13.57	19.96

Horizontal Bend 90° with Cover



Code	Detail		Weight (kg.)			
	W (mm.)	H (mm.)	Thickness (mm.)			
			1.0	1.2	1.6	2.0
HPRT-0001	75	50	0.36	0.42	0.56	0.70
HPRT-0002	100	50	0.43	0.52	0.69	0.86
HPRT-0003	100	75	0.58	0.70	0.93	1.16
HPRT-0004	100	100	0.69	0.83	1.10	1.38
HPRT-0005	150	100	0.96	1.15	1.51	1.89
HPRT-0006	200	100	1.24	1.49	1.98	2.48
HPRT-0007	250	100	-	1.89	2.52	3.15
HPRT-0008	300	100	-	2.33	3.11	3.89
HPRT-0009	350	100	-	-	3.77	4.72
HPRT-0010	400	100	-	-	4.49	5.60
HPRT-0011	450	100	-	-	5.28	6.60
HPRT-0012	500	100	-	-	6.14	7.66

Cable Ladder

Cable Tray

Special Product / Accessories

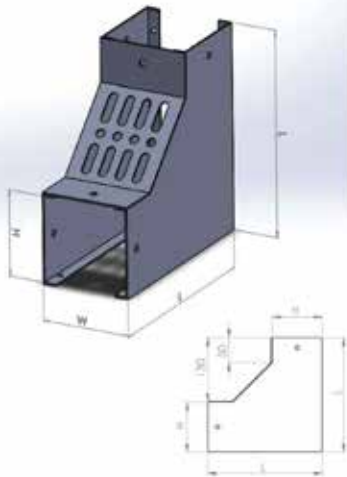
Wireway with Cover

Perforated Tray

Products

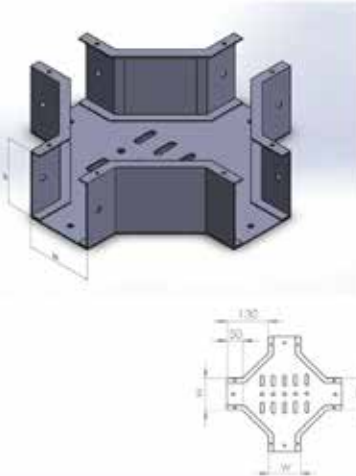
Perforated Tray Type

Vertical Outside 90° with Cover



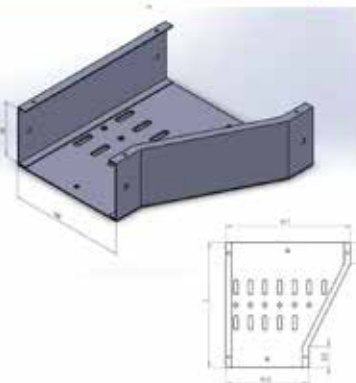
Code	Detail		Weight (kg.)			
	W (mm.)	H (mm.)	Thickness (mm.)			
			1.0	1.2	1.6	2.0
VOPRT-0001	75	50	0.70	0.84	1.13	1.49
VOPRT-0002	100	50	0.82	0.98	1.31	1.64
VOPRT-0003	100	75	1.13	1.36	1.80	2.23
VOPRT-0004	100	100	1.35	1.62	2.17	2.71
VOPRT-0005	150	100	1.62	1.94	2.60	3.35
VOPRT-0006	200	100	1.89	2.27	3.03	3.79
VOPRT-0007	250	100	-	2.60	3.46	4.33
VOPRT-0008	300	100	-	2.91	3.90	4.87
VOPRT-0009	350	100	-	-	4.33	5.42
VOPRT-0010	400	100	-	-	4.96	5.96
VOPRT-0011	450	100	-	-	5.20	6.50
VOPRT-0012	500	100	-	-	5.63	7.0

Horizontal Cross with Cover



Code	Detail		Weight (kg.)			
	W (mm.)	H (mm.)	Thickness (mm.)			
			1.0	1.2	1.6	2.0
HCPRT-0001	75	50	1.80	2.16	2.88	3.60
HCPRT-0002	100	50	2.08	2.50	3.32	4.15
HCPRT-0003	100	75	2.37	2.84	3.79	4.74
HCPRT-0004	100	100	2.57	3.08	4.11	5.14
HCPRT-0005	150	100	3.18	3.82	5.08	6.35
HCPRT-0006	200	100	3.86	4.65	6.17	7.72
HCPRT-0007	250	100	-	5.35	7.13	8.91
HCPRT-0008	300	100	-	6.35	8.47	10.59
HCPRT-0009	350	100	-	-	9.94	12.43
HCPRT-0010	400	100	-	-	11.54	14.42
HCPRT-0011	450	100	-	-	13.26	16.57
HCPRT-0012	500	100	-	-	15.16	18.88

Horizontal Reduce with Cover



Code	Detail		Weight (kg.)			
	W (mm.)	H (mm.)	Thickness (mm.)			
			1.0	1.2	1.6	2.0
HRPRT-0001	100-50	50	0.77	1.45	1.16	1.54
HRPRT-0002	150-100	100	1.21	1.72	1.93	2.42
HRPRT-0003	200-100	100	1.43	1.99	2.29	2.86
HRPRT-0004	250-100	100	-	2.26	2.65	3.31
HRPRT-0005	300-100	100	-	-	3.01	3.76
HRPRT-0006	350-100	100	-	-	3.36	4.21
HRPRT-0007	400-100	100	-	-	3.72	4.65
HRPRT-0008	450-100	100	-	-	4.08	5.10
HRPRT-0009	500-100	100	-	-	4.44	5.55

Cable Ladder

Cable Tray

Special Product / Accessories

Wireway with Cover

Perforated Tray

Project Reference



Project Reference

